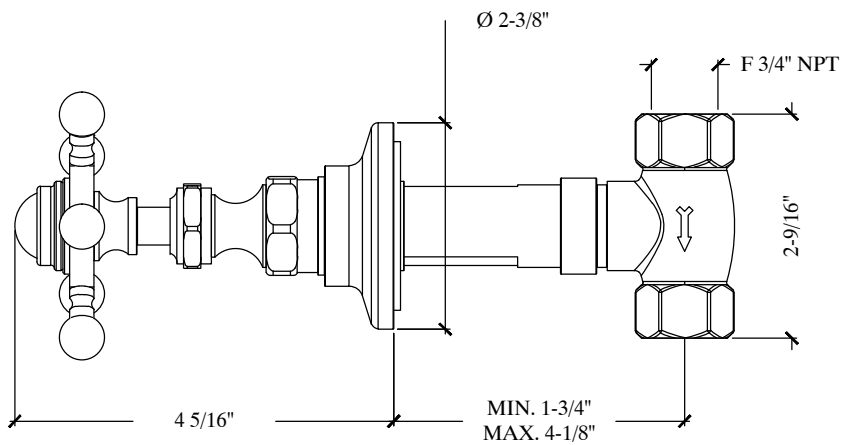
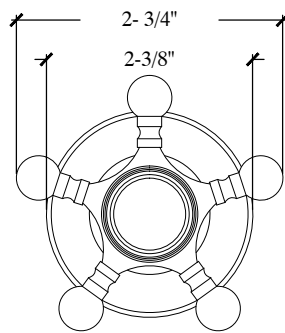


MARINE

Wall Mounted $\frac{3}{4}$ " NPT

Style # 03806730



Copyright © Compass 2010 www.compassstone.com

COMPAS