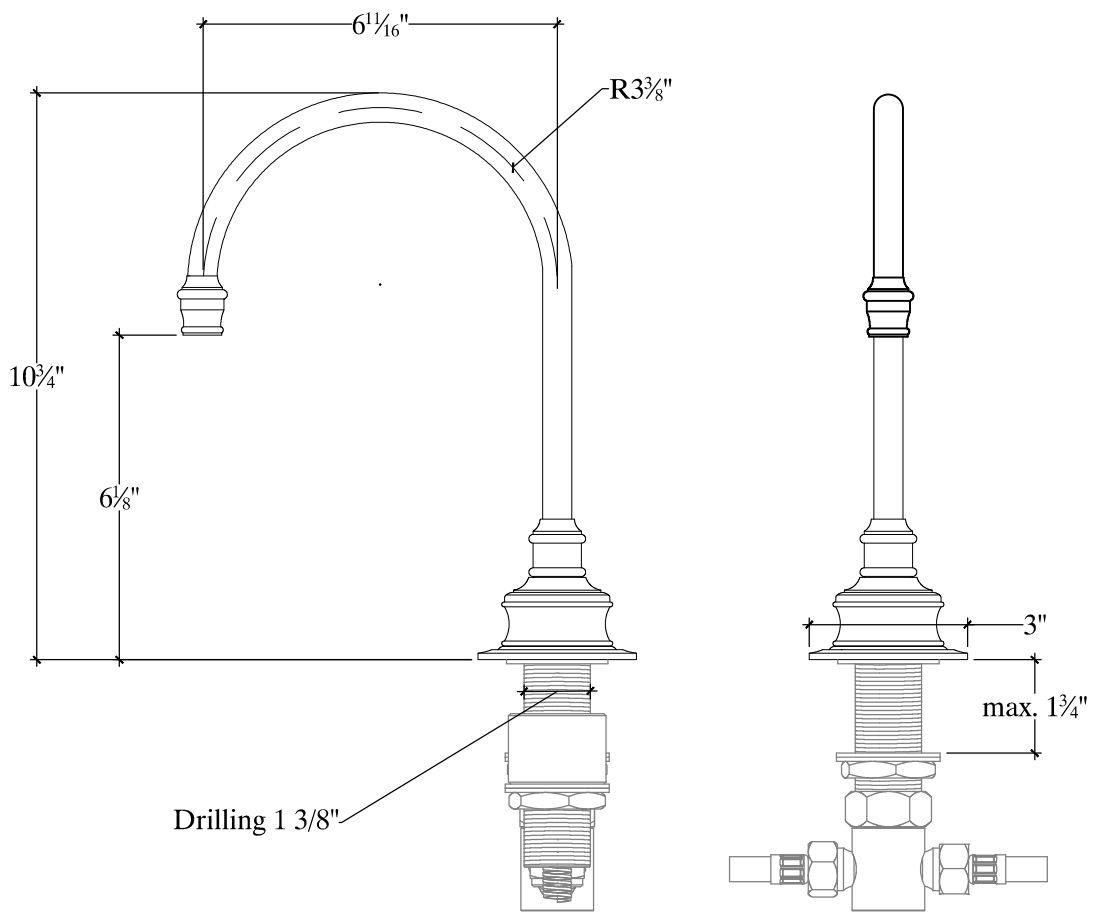


VENDOME

Deck Mounted Vendome Mechanical Spout $\frac{1}{2}$ " NPT
Ref #:



Copyright © Compas 2010 www.compassstone.com

COMPAS