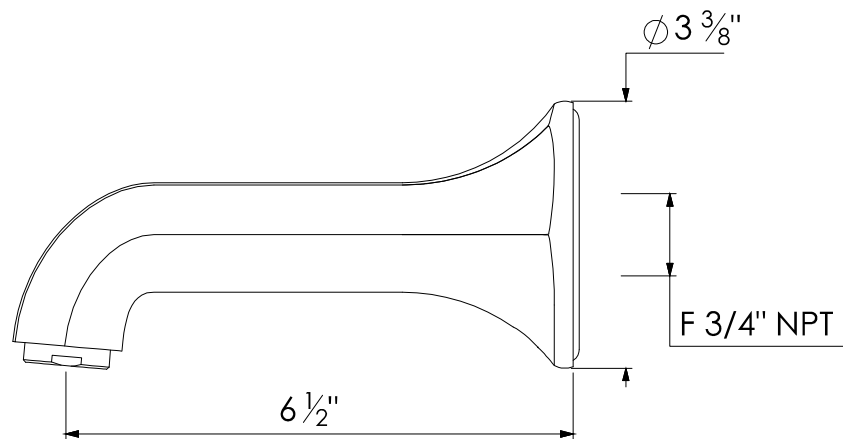


CONSTANCE

Wall Mount Spout for Tub $\frac{3}{4}$ " NPT
Réf : 8306203



Copyright © Compas 2010 www.compasstone.com

COMPAS