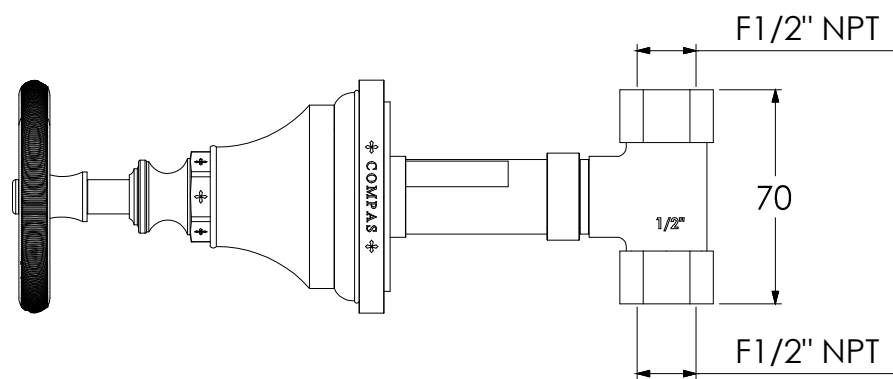
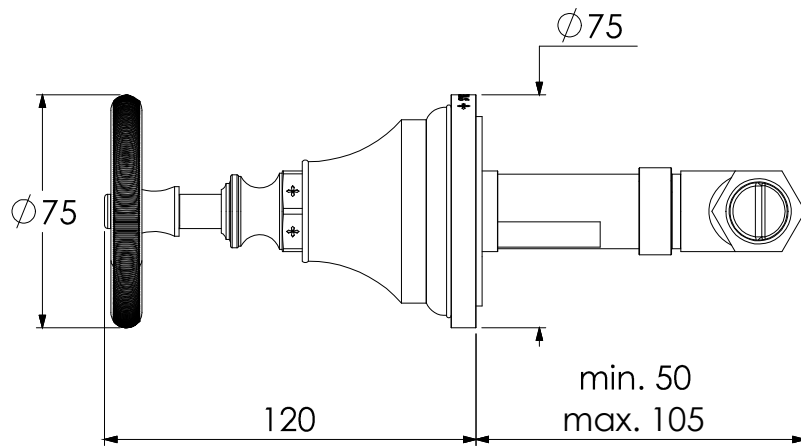


QUADROLOBE

Wall Mounted Quadrolobe Handle 1/2" NPT
Poignee Murale Quadrolobe 1/2" NPT
Réf : 2106730



Copyright © Compas 2010 www.compasstone.com

COMPAS