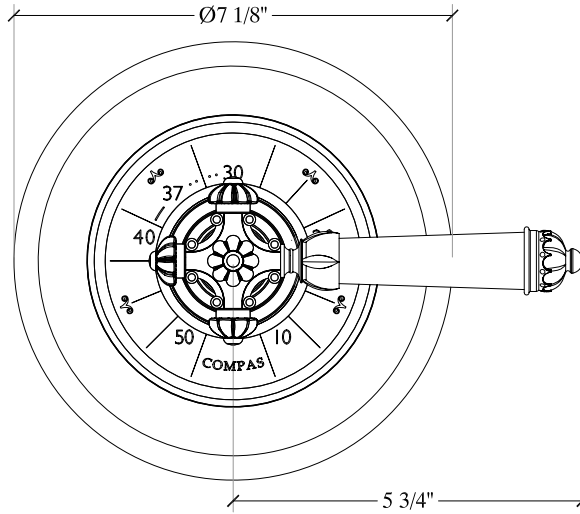
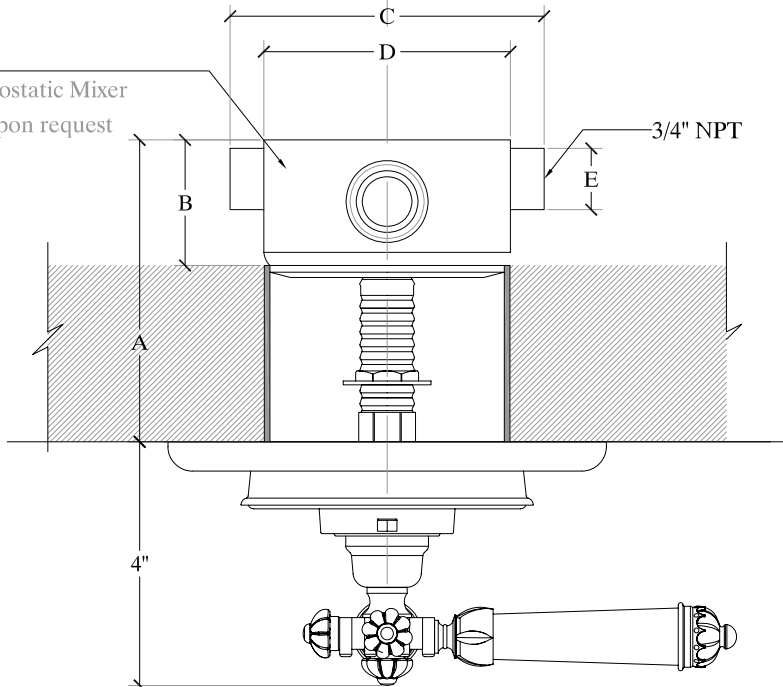


SEGOVIA

Wall Mounted European Shower Thermostat with In-Wall Mixer
 Facade Thermostatique et Section du meme
 Style # 8401385



T2 Pressure
 82 lt/m Thermostatic Mixer
 *T3 available upon request



	T2	T3
A min	2 1/4"	2 3/4"
A max	4 1/2"	4 3/4"
B	2 1/8"	2 3/8"
C	4 3/4"	5 7/8"
D	3 3/4"	4 3/8"
E	3/4"	1"
F	4 3/4"	5 7/8"

Copyright © Compas 2010 www.compasstone.com

COMPAS